

FLL SERIES 100W-300W



FLL series led flood light is a slim-line robust fixture with accessories for quicker installation. Patented design with CE/CB/SAA/UL/CUL/DLC/FCC/ICES certification. Suitable for wet locations.

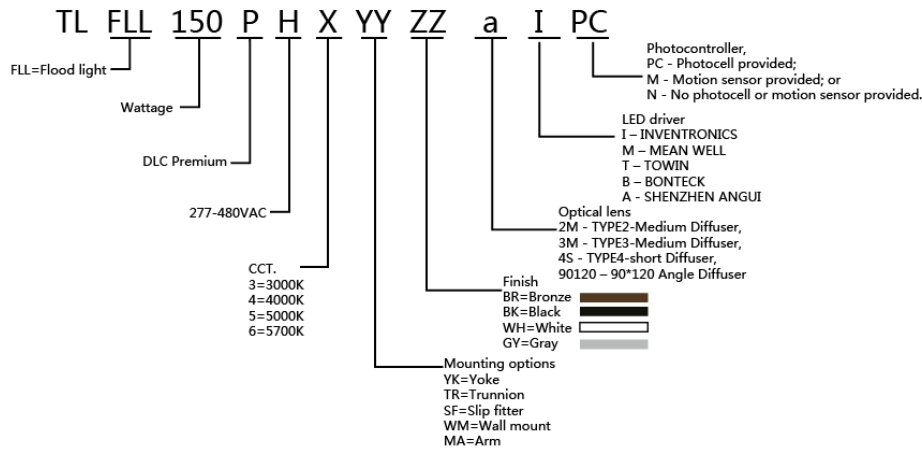
FEATURES

- Housing: ADC12 Aluminum heat sink, outdoor powder coating
- Optical Lens: High light transmittance PC, anti-UV and flame resistant
- LED: LUMILEDS LED150Lm/W CRI>70.
- Driver input voltage: 100-277V, 50/60Hz, PF>0.9, THD<20%
- Operating Temperature -40°C~+40°C
- Aluminum LED board: High conductive, waterproof, aging resistance, salt mist resistance
- Warranty: 5 years
- 6KV lightning surge protection,



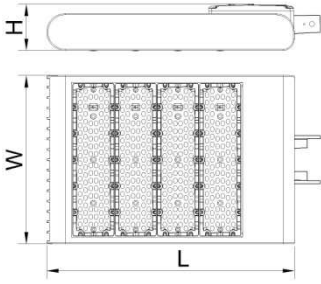
PRODUCT NOMENCLATURE

Example:TLFLL150XYZZaI PC

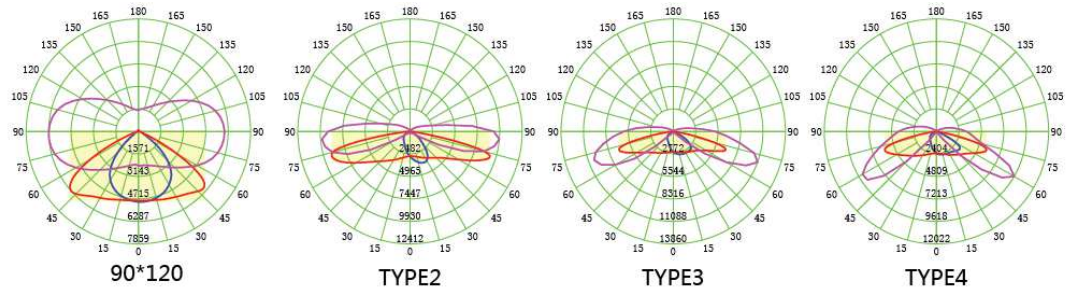


MODEL	DIMENSION L*W*H	CERTIFICATE	VOLTAGE	CURRENT	WATT -8%~+5%	LUMENS 5700K	LIGHT EFFECT Lm/W	OPTICS	BUG	Dimming
TLFLL100PXYZZ3 MT	280*320*87mm	CE/CB/ SAA/ UL/CUL /DLC/FCC/ ICES	100- 277VAC	1.5A	100W	13500	135	TYPE II-M TYPE III-M TYPE IV-S 90x120	B4-U0-G3	0-10V PWM VR
TLFLL100PHXYZZ3 MT		UL/CUL /DLC/FCC/ ICES	277- 480VAC	0.55A	100W	13500	135	TYPE II-M TYPE III-M TYPE IV-S 90x120	B4-U0-G3	0-10V PWM VR
TLFLL150PXYZZ3 MT		CE/CB/ SAA/ UL/CUL /DLC/FCC/ ICES	100- 277VAC	1.8A	150W	20250	135	TYPE II-M TYPE III-M TYPE IV-S 90x120	B4-U0-G3	0-10V PWM VR
TLFLL150PHXYZZ 3MT		UL/CUL /DLC/FCC/ ICES	277- 480VAC	0.88A	150W	20250	135	TYPE II-M TYPE III-M TYPE IV-S 90x120	B4-U0-G3	0-10V PWM VR
TLFLL230PXYZZ3 MT	360*320*87mm	CE/CB/ SAA/ UL/CUL/DLC	100- 277VAC	2.5A	230W	31050	135	TYPE II-M TYPE III-M TYPE IV-S 90x120	B4-U0-G3	0-10V PWM VR
TLFLL230PHXYZZ 3MT		UL/CUL /DLC/FCC/ ICES	277- 480VAC	1.4A	230W	31050	135	TYPE II-M TYPE III-M TYPE IV-S 90x120	B4-U0-G3	0-10V PWM VR
TLFLL300PXYZZ3 MT	470*320*88mm	CE/CB/ SAA/ UL/CUL /DLC/FCC/ ICES	100- 277VAC	3.5A	300W	40500	135	TYPE II-M TYPE III-M TYPE IV-S 90x120	B4-U0-G3	0-10V PWM VR
TLFLL300PHXYZZ 3MT		UL/CUL /DLC/FCC/ ICES	277- 480VAC	1.8A	300W	40500	135	TYPE II-M TYPE III-M TYPE IV-S 90x120	B4-U0-G3	0-10V PWM VR

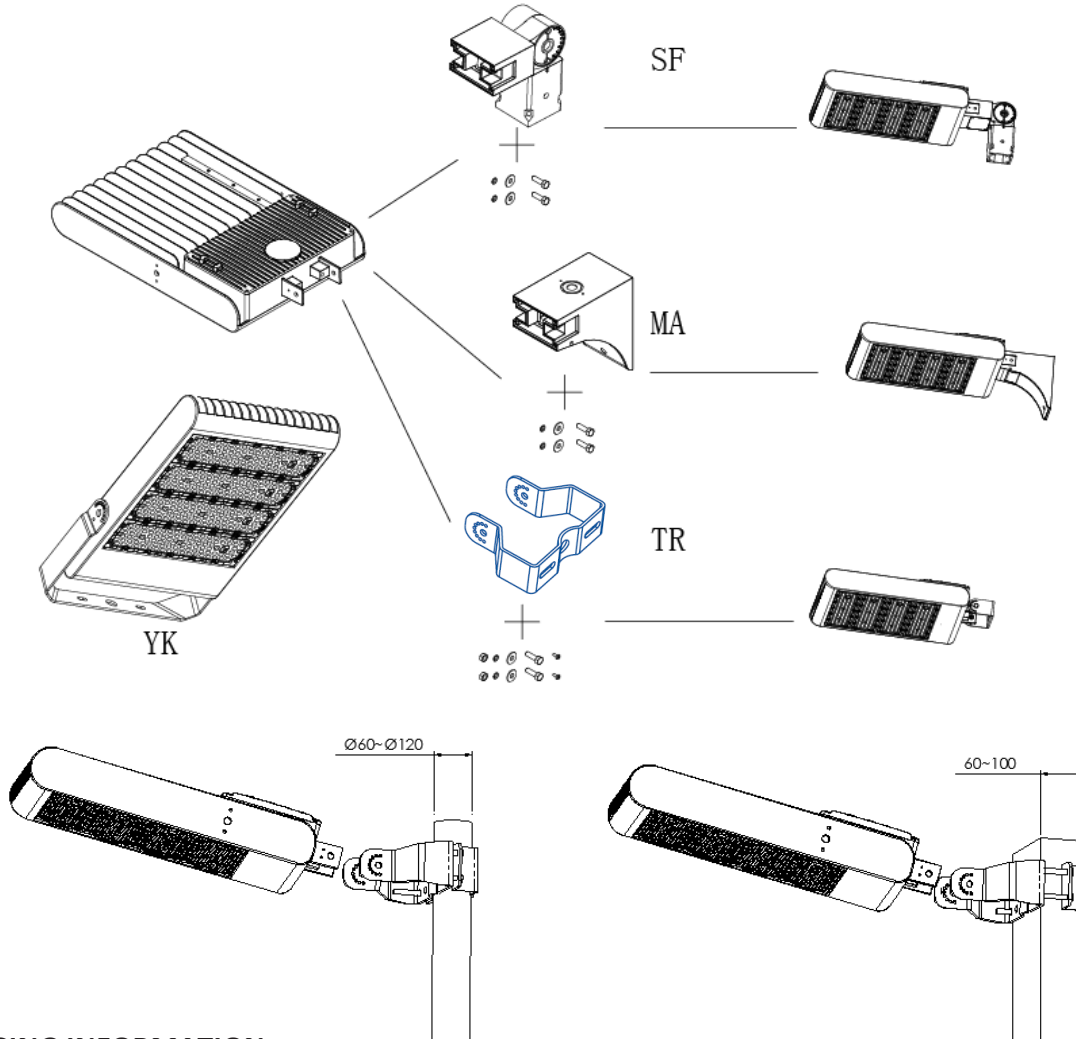
DIAGRAM



PHOTOMETRY



MOUNTING OPTIONS



PACKAGING INFORMATION

MODEL	MASTER CARTON SIZE	Q'TY/CTN	GW(kg)				CUBICMETER(M ³)
			YK	SF	MA	TR	
TLFLL100PXYZZ3MT	510*360*125mm	1		7	6.4	6.14	0.023
TLFLL100PHXYZZ3MT	510*360*125mm	1		7.1	6.5	6.2	0.023
TLFLL150PXYZZ3MT	510*360*125mm	1		7.05	6.45	6.2	0.023
TLFLL150PHXYZZ3MT	510*360*125mm	1		7.15	6.55	6.3	0.023
TLFLL230PXYZZ3MT	590*360*125mm	1		8.85	8.2	8	0.027
TLFLL230PHXYZZ3MT	590*360*125mm	1		8.9	8.25	8.05	0.027
TLFLL300PXYZZ3MT	700*360*125mm	1		11.8	11.2	10.9	0.032
TLFLL300PHXYZZ3MT	700*360*125mm	1		11.9	11.3	11	0.032
TLFLL100PXYKZZ3MT	410*370*105	1	6.4				0.016
TLFLL150PXYKZZ3MT	410*370*105	1	6.41				0.016
TLFLL230PXYKZZ3MT	535*370*105	1	8.41				0.021
TLFLL300PXYKZZ3MT	610*370*105	1	11.4				0.024

The above parameters are for reference; please refer to IES, DLC, LM79 report for details.