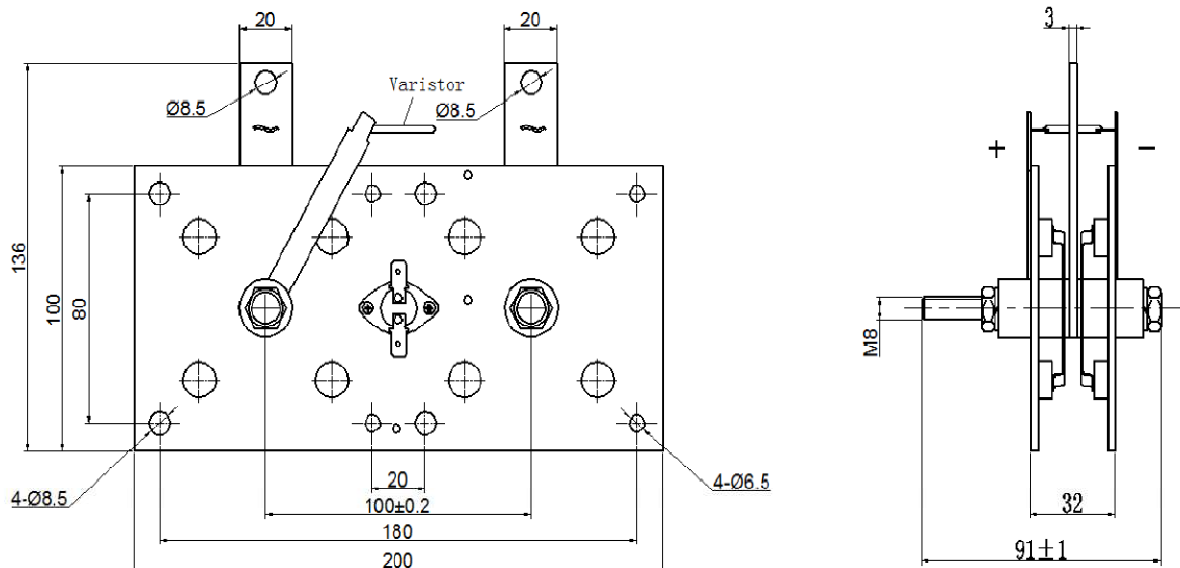


ZLDQ150A...SERIES

- **RECTIFIER BRIDGE**
-
- IF(AV): 150A
- VRRM: $\geq 400V$
- IRRM: $\leq 6mA$
- Temperature rise: $\leq 85^{\circ}C$
- Number of Diodes: 16
- PLATES: 2PCS
- PLATE SIZES; 100x200x3 mm

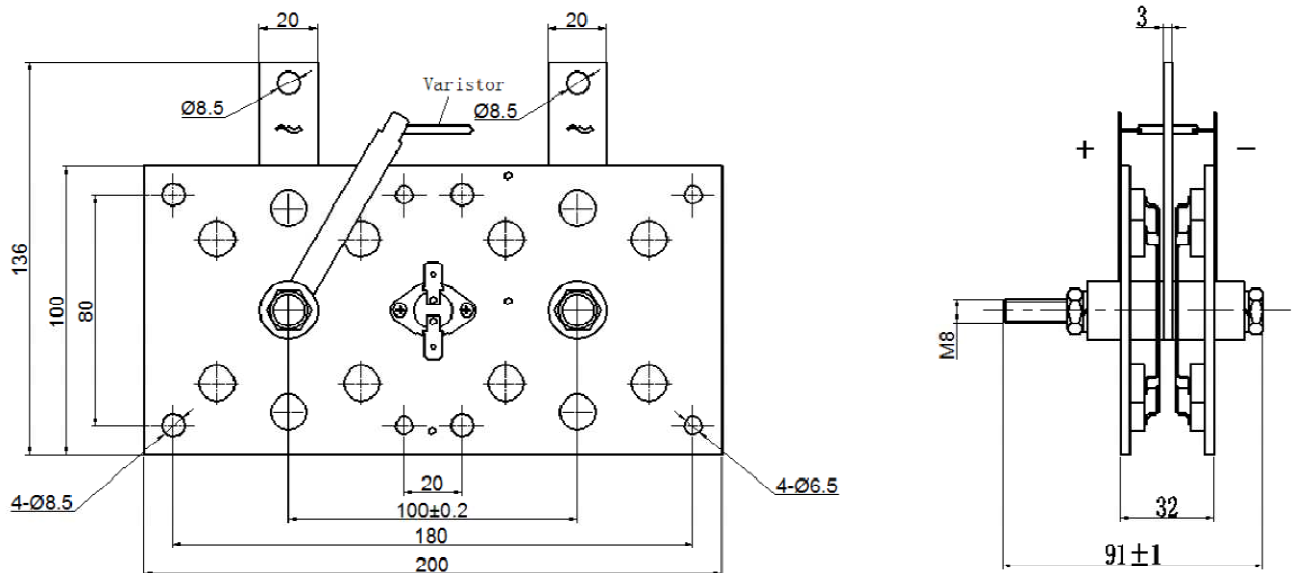
OUTLINE in mm



ZLDQ250A...SERIES

- **RECTIFIER BRIDGE**
-
- IF(AV): 250A
- VRRM: $\geq 400V$
- IRRM: $\leq 6mA$
- Temperature rise: $\leq 85^{\circ}C$
- Number of Diodes: 24
- PLATES: 2PCS
- PLATE SIZES; 100x200x3 mm

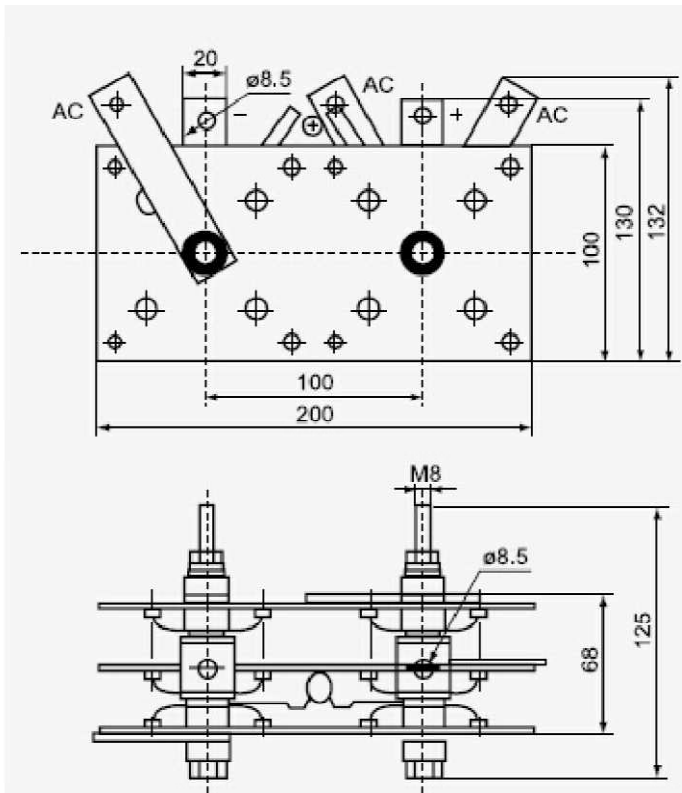
OUTLINE



ZLDS250A...SERIES

- **RECTIFIER BRIDGE**
-
- IF(AV): 250A
- VRRM: $\geq 400V$
- IRRM: $\leq 6mA$
- Temperature rise: $\leq 85^{\circ}C$
- Number of Diodes: 24
- PLATES: 3PCS
- PLATE SIZES; 100x200x3 mm

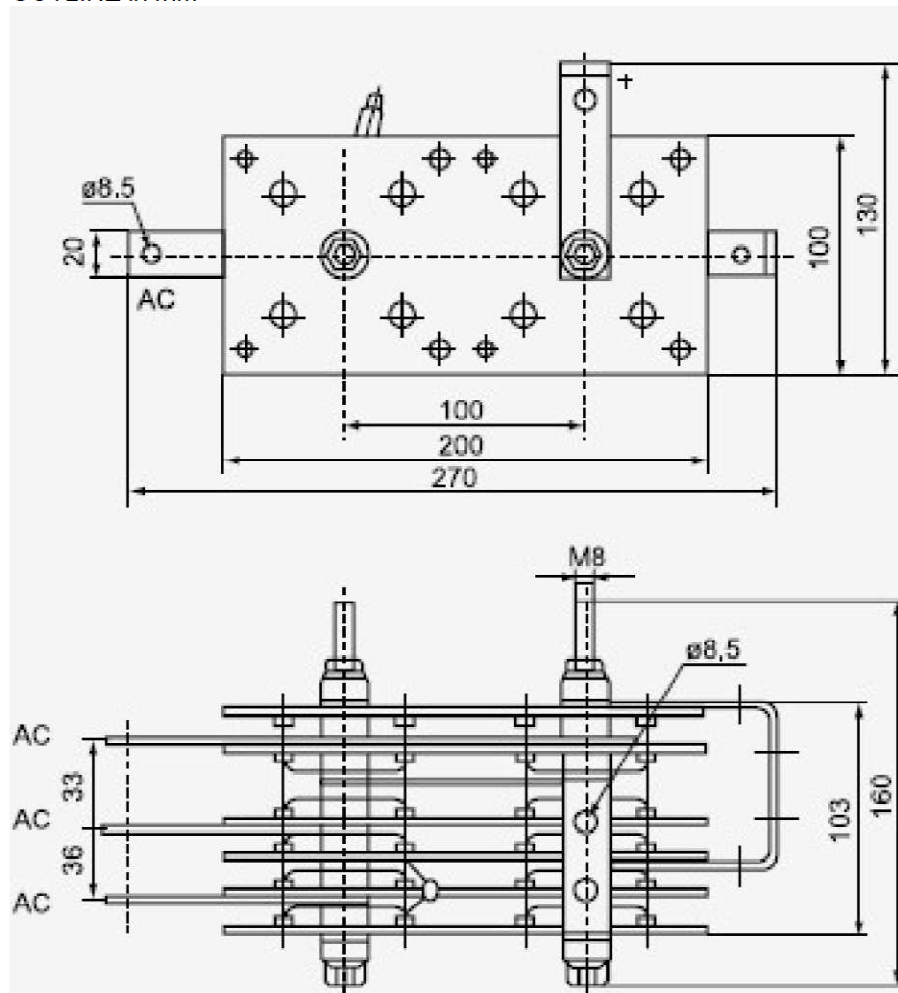
OUTLINE in mm



ZLDS400A...SERIES

- RECTIFIER BRIDGE
-
- IF(AV):400A
- VRRM: $\geq 400V$
- IRRM: $\leq 6mA$
- Temperature rise: $\leq 85^{\circ}C$
- Number of Diodes:48
- PLATES: 6PCS
- PLATE SIZES; 100x200x3 mm

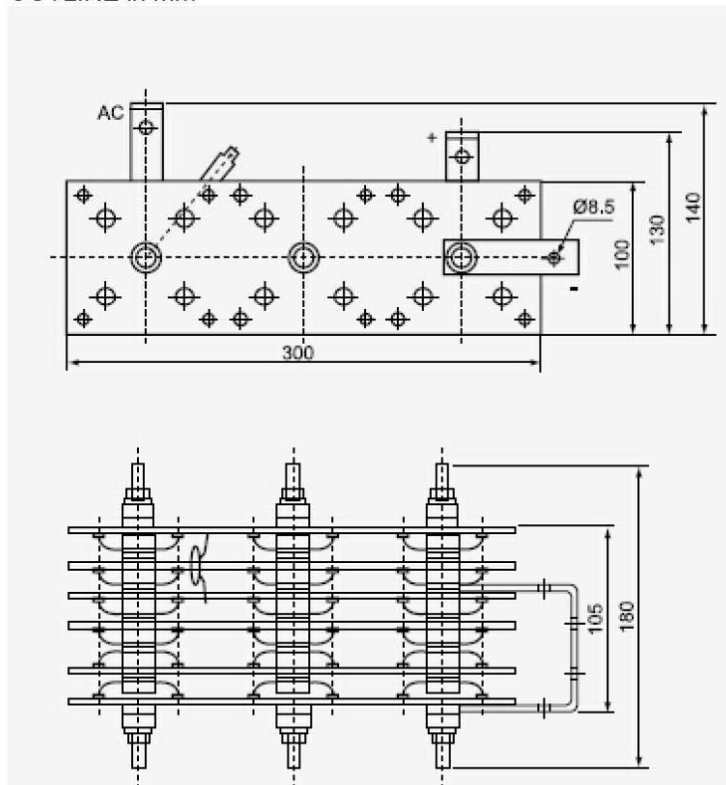
OUTLINE in mm



ZLDS500A...SERIES

- **RECTIFIER BRIDGE**
-
- IF(AV): 500A
- VRRM: $\geq 400V$
- IRRM: $\leq 6mA$
- Temperature rise: $\leq 85^{\circ}C$
- Number of Diodes: 66
- PLATES: 6PCS
- PLATE SIZES; 100x300x3 mm

OUTLINE in mm



ZLDS600A...SERIES

- **RECTIFIER BRIDGE**
-
- IF(AV): 600A
- VRRM: $\geq 400V$
- IRRM: $\leq 6mA$
- Temperature rise: $\leq 85^{\circ}C$
- Number of Diodes: 72
- PLATES: 6PCS
- PLATE SIZES: 100x300x3 mm

OUTLINE in mm

